

Low Voltage Products

BaseLine, OFAX Fuse Bases

Brochure OFA1GB_02_09
1SCC316001C0201



Fuse Bases OFAX 00, 1, 2, 3 and 4a

The OFAX fuse bases are designed for fuse-links up to 1250 A, according to IEC 60269 -2 -1.

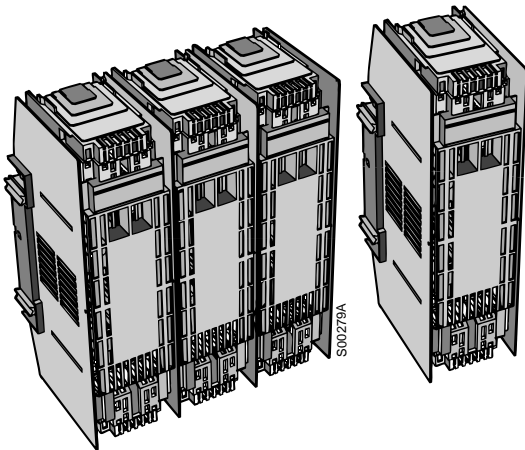
OFAX fuse bases are available in 1-, 2- and 3-pole open types or fully protected IP20 versions. The single poles of sizes 1, 2 and 3 can be connected to each other with a large variety of accessories for

protection of live parts, phase barriers, terminal shrouds and fuse covers. Size 3 poles are mounted together with a separate connector piece. Size 4a is available as 1-pole and two different 3-pole versions, with separate fuse covers or with one big cover.

Technical Data

Type	IEC size	In [A]	Fuse size
OFAX 00_	00	160	000, 00
OFAX 1_	1	250	0, 1
OFAX 2_	2	400	1, 2
OFAX 3_	3	630	2, 3
OFAX 4A_	4a	1250	4a

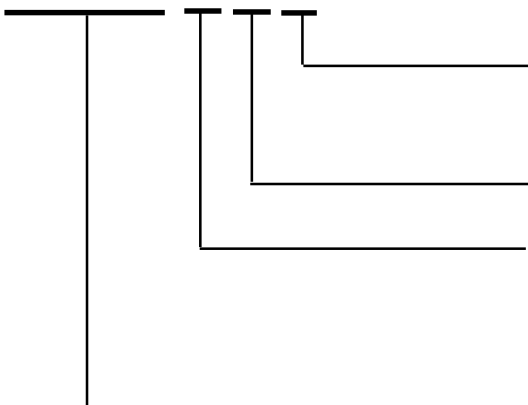
Ease and Speed of Installation



- Full protection to IP 20
- Ease and speed of installation
 - fixing on DIN rail or by screws
 - snap-on assembly
 - space saving through 2.5 mm² in-built terminal e.g. for measuring or monitoring
- Shock resistant fuse contact, contact springs of stainless steel

Type Designation

OFAX 00 S 3



Only in size 00:

blank = standard terminal width 15 mm

L = optional terminal width 20 mm

Number of poles

Protection

A = open (phase barriers only between the poles)

P = open with phase barriers

S = full protection to IP 20

Fuse base, size (00, 1, 2, 3 or 4a)

Terminal 2,5 mm² e.g. for measuring or monitoring

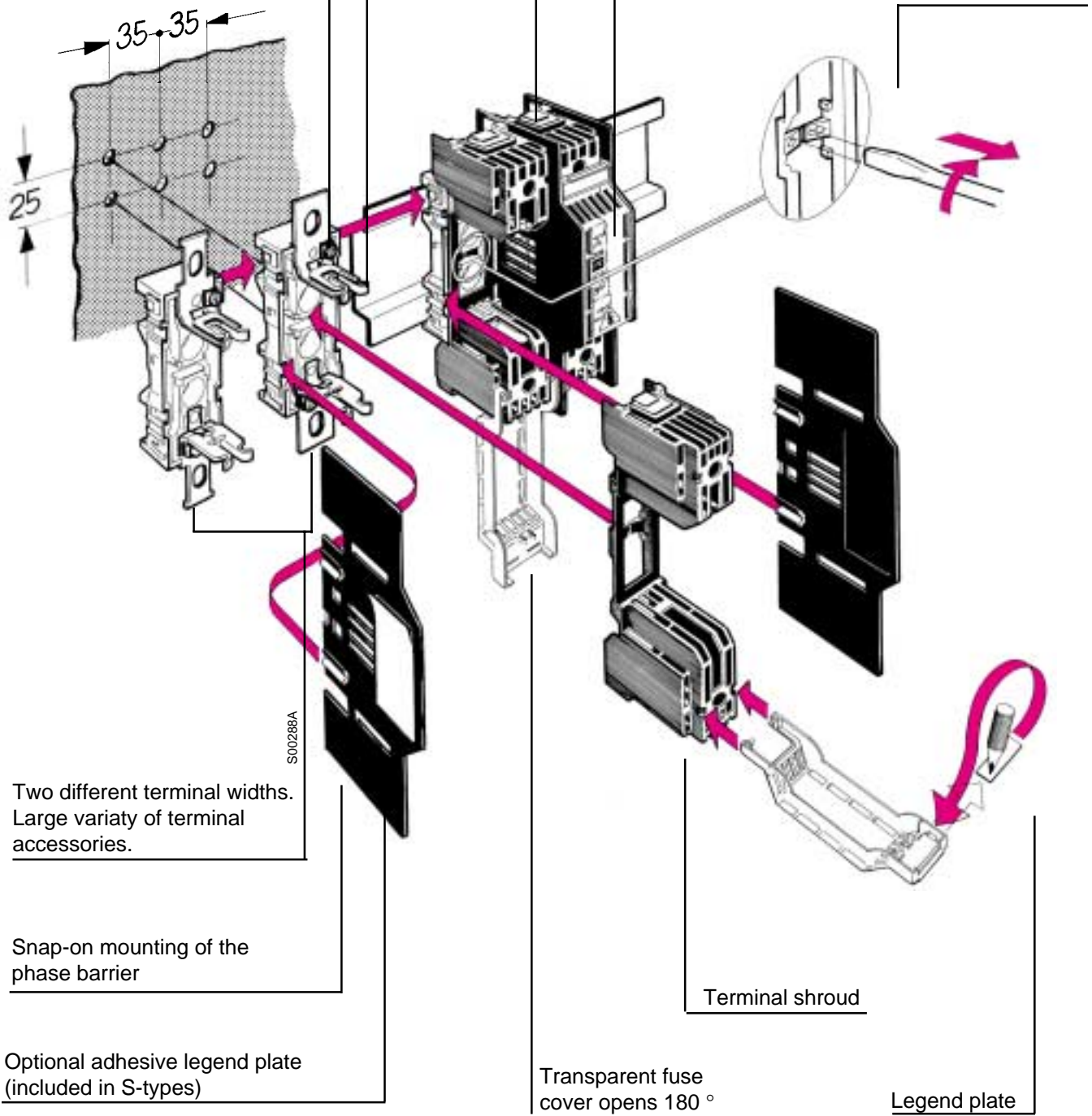
Mounting with screws or on 75 mm DIN rail

Shock resistant fuse contact, Contact spring of stainless steel

Knock-out for different cable sizes

Visible fuse-links

Snap-on mounting of the terminal shroud



Two different terminal widths. Large variety of terminal accessories.

Snap-on mounting of the phase barrier

Optional adhesive legend plate (included in S-types)

Transparent fuse cover opens 180°

Terminal shroud

Legend plate

OFAF 1, 2 and 3

250A, 400A, 630A

Mounting with screws
(sizes 1, 2 and 3) or on
75 mm DIN rail (sizes 1
and 2)

Terminal 2,5 mm² e.g. for
measuring or monitoring

Knock-out for different
cable sizes

Visible fuse-links

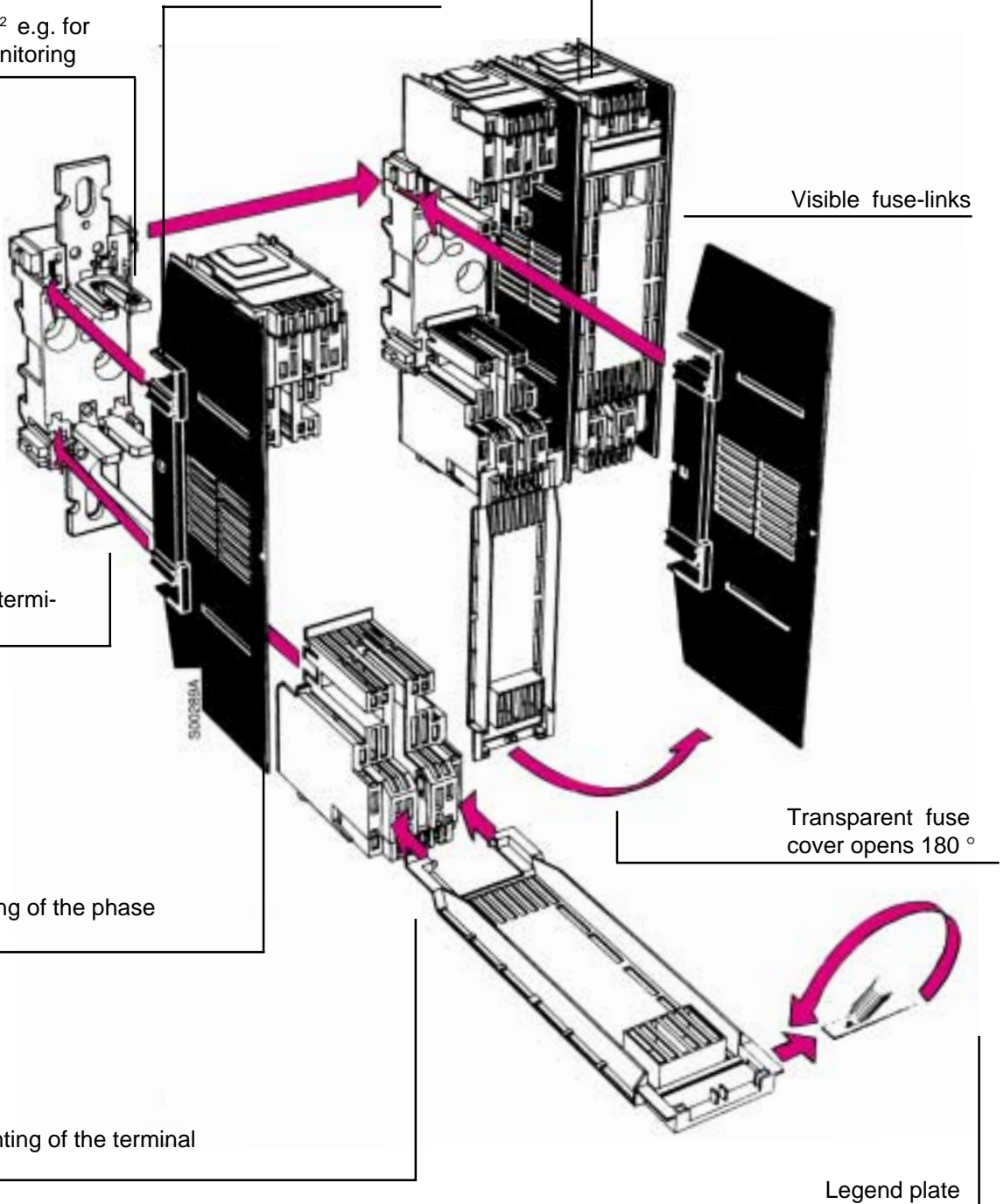
Large variety of termi-
nal accessories.

Snap-on mounting of the phase
barrier

Transparent fuse
cover opens 180 °

Snap-on mounting of the terminal
shroud

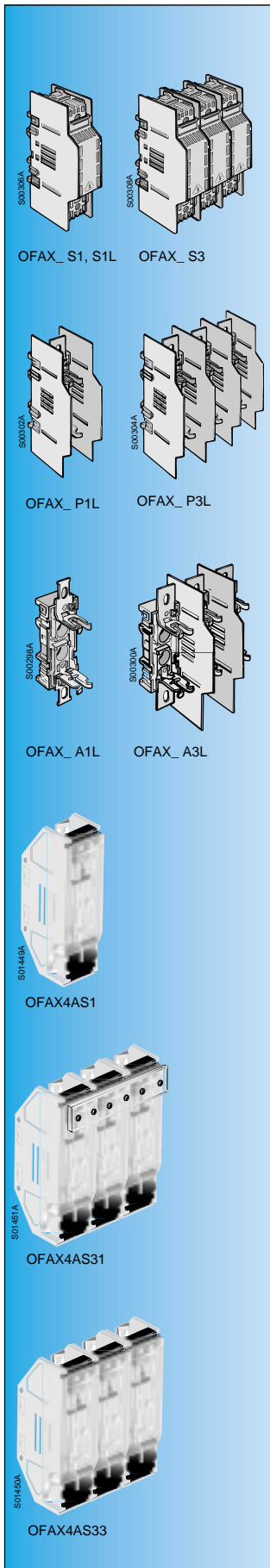
Legend plate



BaseLine

Fuse Bases OFAX

Technical Data and Ordering Information



Fuse bases for fuse size 00, $U_i = 1000\text{ V}$

Number of poles	Terminal width [mm]	I_n [A]	Type	Order number	Packing [pcs]	Weight [kg]
Terminal width 15 mm. Full protection IP 20						
1	15	160	OFAX 00 S1	1SCA022112R1800	10	0.18
2	15	160	OFAX 00 S2	1SCA022112R2280	5	0.32
3	15	160	OFAX 00 S3	1SCA022112R3410	3	0.48
Open with phase barriers IP 00						
1	15	160	OFAX 00 P1	1SCA022112R1470	10	0.16
3	15	160	OFAX 00 P3	1SCA022112R3090	3	0.44
Open (phase barriers only between the poles) IP 00						
1	15	160	OFAX 00 A1	1SCA022112R1040	10	0.12
3	15	160	OFAX 00 A3	1SCA022112R2610	3	0.40
Terminal width 20 mm. Full protection IP 20						
1	20	160	OFAX 00 S1L	1SCA022112R2010	10	0.18
2	20	160	OFAX 00 S2L	1SCA022112R2440	5	0.30
3	20	160	OFAX 00 S3L	1SCA022112R3680	3	0.48
Open with phase barriers IP 00						
1	20	160	OFAX 00 P1L	1SCA022112R1630	10	0.16
3	20	160	OFAX 00 P3L	1SCA022112R3250	3	0.44
Open (phase barriers only between the poles) IP 00						
1	20	160	OFAX 00 A1L	1SCA022112R1210	10	0.12
3	20	160	OFAX 00 A3L	1SCA022112R2870	3	0.40

Fuse bases for fuse size 1, $U_i = 1000\text{ V}$

Full protection IP 20						
1	25	250	OFAX 1 S1	1SCA022168R5330	6	0.56
2	25	250	OFAX 1 S2	1SCA022168R5500	3	1.10
3	25	250	OFAX 1 S3	1SCA022168R6140	2	1.50
Open with phase barriers IP 00						
1	25	250	OFAX 1 P1	1SCA022168R5170	6	0.47
3	25	250	OFAX 1 P3	1SCA022168R5920	2	1.30
Open (phase barriers only between the poles) IP 00						
1	25	250	OFAX 1 A1	1SCA022168R4950	6	0.38
3	25	250	OFAX 1 A3	1SCA022168R5760	2	1.20

Fuse bases for fuse size 2, $U_i = 1000\text{ V}$

Full protection IP 20						
1	30	400	OFAX 2 S1	1SCA022168R673	6	0.64
2	30	400	OFAX 2 S2	1SCA022168R6900	3	1.20
3	30	400	OFAX 2 S3	1SCA022168R1420	2	1.80
Open with phase barriers IP 00						
1	30	400	OFAX 2 P1	1SCA022168R6570	6	0.54
3	30	400	OFAX 2 P3	1SCA022168R1260	2	1.50
Open (phase barriers only between the poles) IP 00						
1	30	400	OFAX 2 A1	1SCA022168R6310	6	0.42
3	30	400	OFAX 2 A3	1SCA022168R1000	2	1.30

Fuse bases for fuse size 3, $U_i = 690\text{ V}$

Number of poles	Terminal width [mm]	I_n [A]	Type	Order number	Packing [pcs]	Weight [kg]
Full protection IP 20						
1	40	630	OFAX3S1	1SCA022627R8130	3	1.20
2	40	630	OFAX3S2	1SCA022627R8210	2	2.20
3	40	630	OFAX3S3	1SCA022627R8300	1	3.10
Open with phase barriers IP 00						
1	40	630	OFAX3P1	1SCA022627R8480	3	1.34
3	40	630	OFAX3P3	1SCA022627R8560	1	4.00
Open (phase barriers only between the poles)						
1	40	630	OFAX3A1	1SCA022627R7910	3	1.09
3	40	630	OFAX3A3	1SCA022627R8050	1	3.30

Fuse bases for fuse size 4a, $U_i = 800\text{ V}$

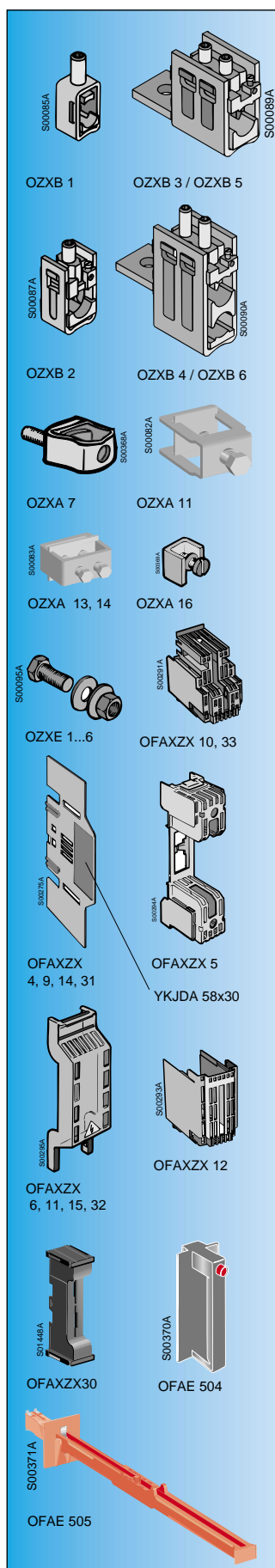
Full protection IP 20						
1	60	1250	OFAX4AS1	1SCA022631R2410	1	4.20
3	60	1250	OFAX4AS31 ¹⁾	1SCA022631R2500	1	12.60
3	60	1250	OFAX4AS33 ²⁾	1SCA022631R2680	1	13.00

- Standard delivery without terminal accessories, in sizes 00...3.
 - Standard delivery including terminal bolt set (M16 x 50) in size 4a.
- ¹⁾ 1-pole cover
²⁾ 3-pole cover

BaseLine

Fuse Bases OFAX

Technical Data and Ordering Information, Accessories



Terminal accessories ¹⁾

For fuse base sizes	Terminal width [mm]	Remarks	Type	Order number	Packing [pcs.]
Terminal sets for Al and Cu cables					
00	15	10...70 mm ² Al/Cu	OZXB 1	1SCA022119R7450	3
00_L	20	25...120 mm ² Al/Cu	OZXB 2	1SCA022119R7610	3
1, 2, 3	25,30,40	70...185 mm ² Al/Cu	OZXB 3	1SCA022136R8100	3
1, 2, 3	25,30,40	2x(70...185) mm ² Al/Cu	OZXB 4	1SCA022137R4760	3
1, 2, 3	25,30,40	120...300 mm ² Al/Cu	OZXB 5	1SCA022137R2470	3
3	40	2x(120...300) mm ² Al/Cu	OZXB 6	1SCA022137R4920	3
Terminal sets for Cu cables					
00	15	1.5...25 mm ² Cu	OZXA 16	1SCA022024R4340	6
00	15	1.5...70 mm ² Cu	OZXA 7	1SCA022052R2760	6
1	25	70...120 mm ² Cu	OZXA 11	1SCA022025R6940	6
2	30	150...240 mm ² Cu 2 x(70...150) mm ² Cu	OZXA 13	1SCA022008R7730	6
3	40	240 mm ² Cu 2 x(95...185) mm ² Cu	OZXA 14	1SCA022008R7810	6
Terminal bolt sets					
00	15	M6 x 20 mm	OZXE 4	1SCA022008R8200	6
00_L	20	M8 x 20 mm	OZXE 1	1SCA022008R7900	6
1, 2	25,30	M8 x 30 mm	OZXE 5	1SCA022008R8380	6
1, 2	25,30	M10 x 30 mm	OZXE 2	1SCA022008R8030	6
1, 2, 3	25,30,40	M10 x 40 mm	OZXE 6	1SCA022008R8460	6
3	40	M12 x 40 mm	OZXE 3	1SCA022008R8110	6

Accessories

For fuse size	Type	Order number	Packing [pcs.]
Phase barrier			
00	OFAXZX4	1SCA022641R0930	10
1	OFAXZX9	1SCA022641R1400	10
2	OFAXZX14	1SCA022641R2390	10
3	OFAXZX31	1SCA022627R8720	2
Terminal shroud			
00	OFAXZX5	1SCA022641R1740	10
1, 2	OFAXZX10	1SCA022641R1910	20
3	OFAXZX33	1SCA022627R8990	6
Fuse cover			
00	OFAXZX6	1SCA022112R4730	10
1	OFAXZX11	1SCA022172R2550	10
2	OFAXZX15	1SCA022172R3360	10
3	OFAXZX32	1SCA022627R8810	3
Terminal shroud extension			
1, 2	OFAXZX12	1SCA022172R2710	20
Connector ²⁾			
3	OFAXZX30	1SCA022627R8640	2
Legend plate			
00, 1, 2	YKJDA58X30	1SCA022109R8390	1

Fuse handles

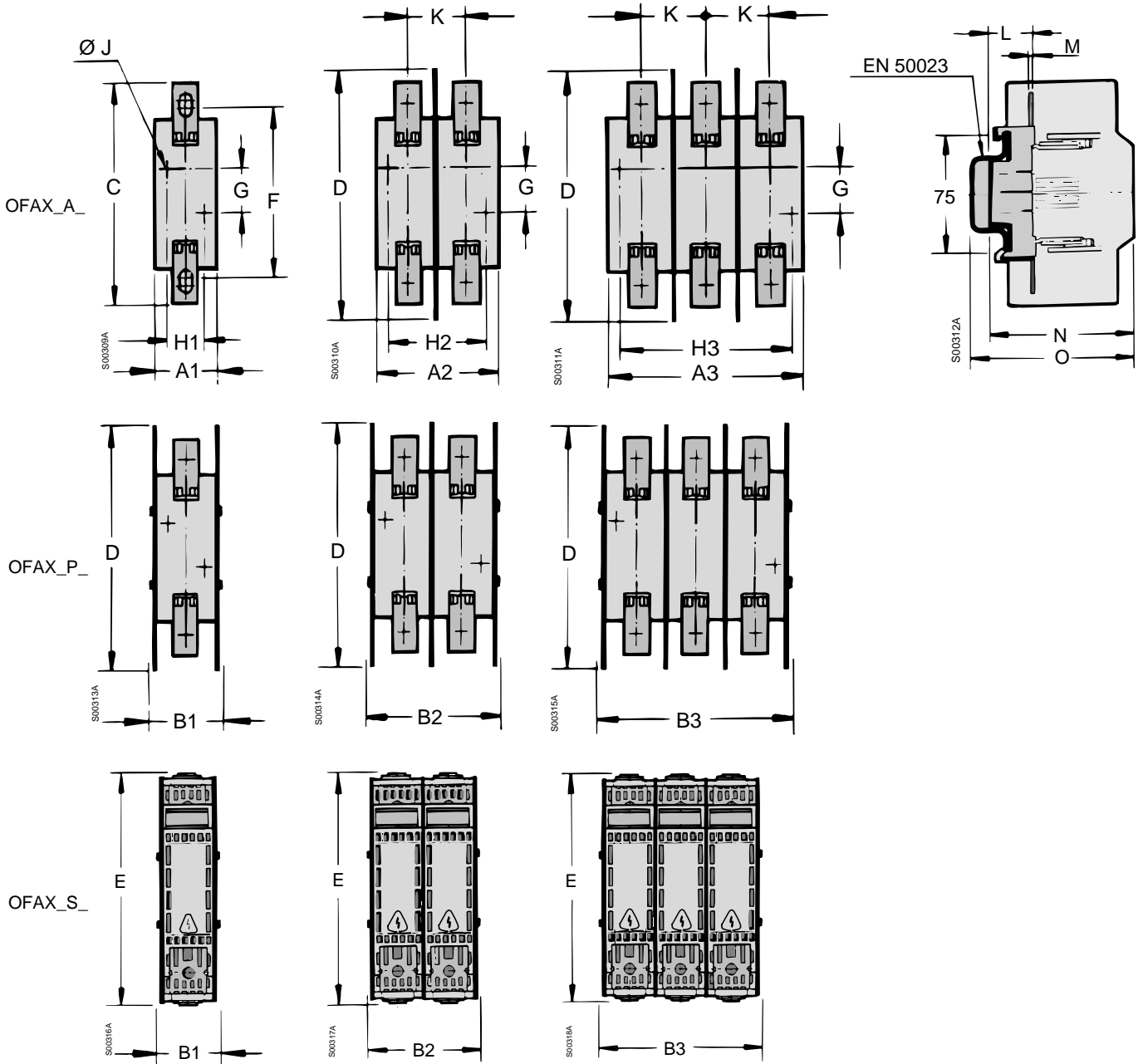
For fuse sizes	Type	Order number	Packing [pcs.]
00, 1, 2, 3	OFAE 504	1SCA022007R6880	1
00, 1, 2, 3	OFAE 505	1SCA022137R0770	1

Handler holder

Suitable for	Type	Order number	Packing [pcs.]
OFAE 504	OFAE5/20	1SCA022687R7190	20

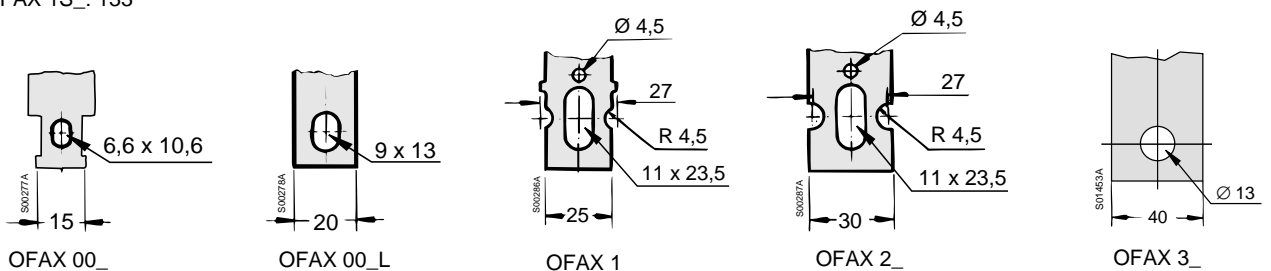
¹⁾ To be ordered separately. ²⁾ For connecting poles to each other.

BaseLine Fuse Bases OFAX Dimension Drawings

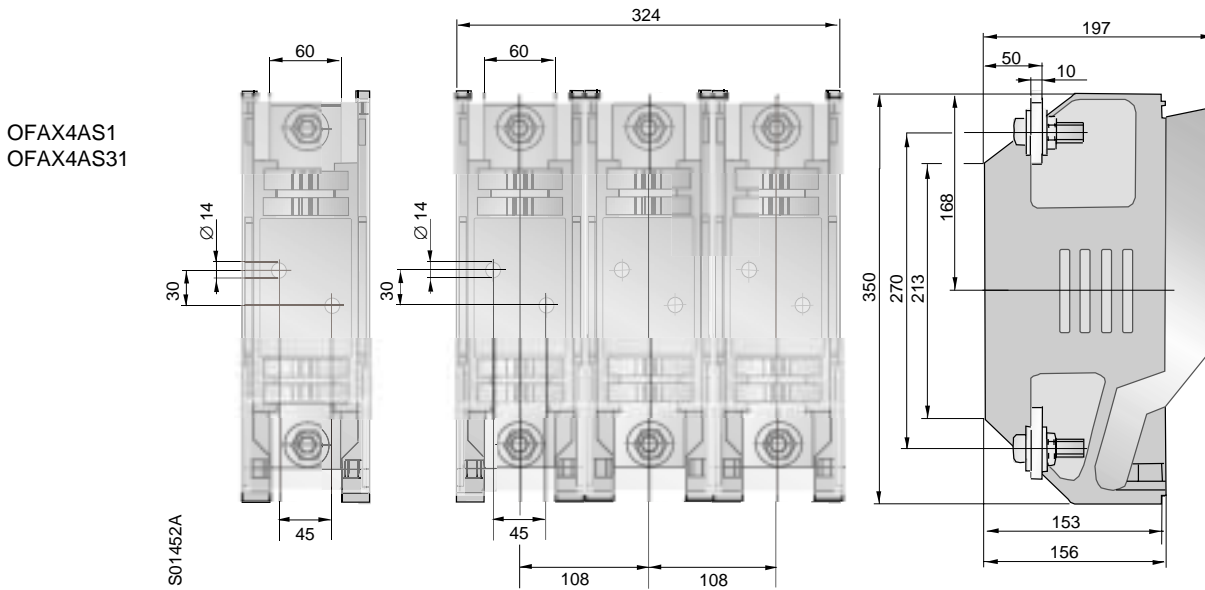
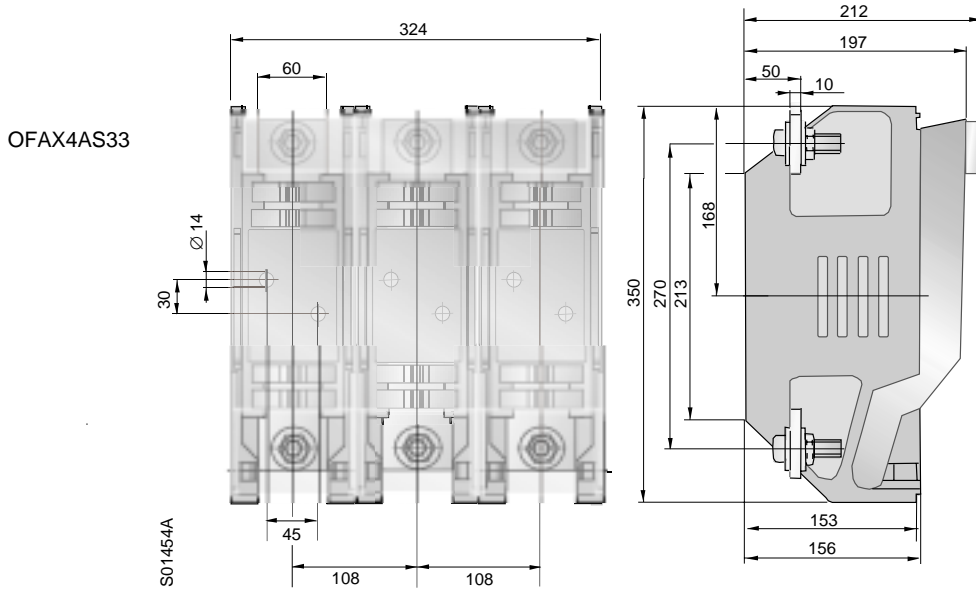


	A1	A2	A3	B1	B2	B3	C	D	E	F	G	H1	H2	H3	ØJ	K	L	M	N	O
OFAX 00_	38	74	109	42	77	112	128	145	148	100 ⁺⁸ ₋₀	25	0	35	70	7.5	35	25.5	2	95	111
OFAX 1_	59.5	114.5	169.5	64	119	174	225	240	250	175 ⁺²⁵ ₋₀	25	30	85	140	10.5	55	41	5	109 ¹⁾	123 ²⁾
OFAX 2_	69.5	134.5	199.5	84	149	214	225	240	250	175 ⁺²⁵ ₋₀	25	30	95	160	10.5	65	41	5	119	133
OFAX 3_	60	141.5	223	84	164	246	241	270	265	210	25	30	82	164	10.5	81.5	38	3	142.5	

¹⁾ OFAX 1S_: 119
²⁾ OFAX 1S_: 133



BaseLine Fuse Bases OFAX_ Dimension Drawings



Low Voltage Products
P.O. Box 622
FIN-65101 VAASA, Finland
Telephone +358 10 11
Telefax +358 10 22 45708
www.abb.com/lvswitches

The technical data and dimensions are valid at the time of printing. We reserve the right to subsequent alterations.

