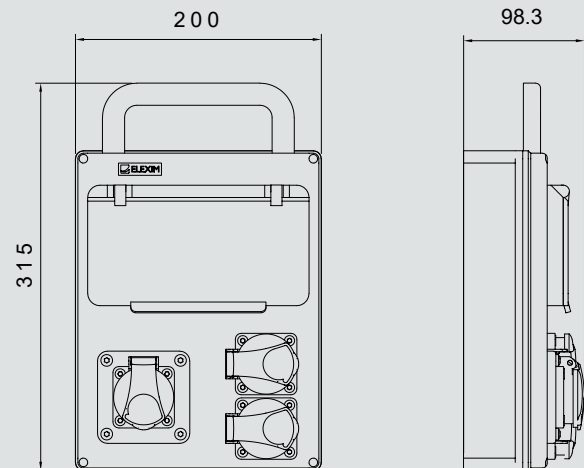




## ACPVE030-16/00



### Basic information

<b>Housing</b>	IP44/IK08
<b>Nominal voltage</b>	400 V
<b>Rated current</b>	16A
<b>Ambient temperature</b>	-20° C až +60° C
<b>Main switch</b>	Optional
<b>Input terminals</b>	Max 10mm
<b>Max weight</b>	3.0 KGS
<b>Size (mm)</b>	260 x 200 x 70

**Max number of 1PH sockets** 3

**Types of 1PH sockets** Type C (EUROPLUG), Type F (Schuko), Type E, Type G

**Max number of 3PH sockets** 0

**Protection (Variable)** Sockets: 6-16 A C - (1+N), 6-10kA  
3PH Sockets: 16-32 A C 6-10kA

**Residual currents protection (Optional)** 1PH 25A 30mA AC