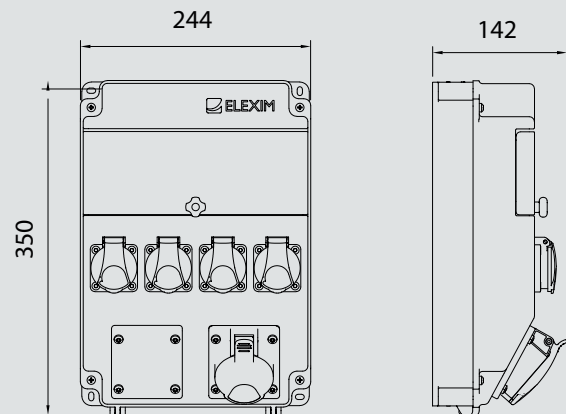




ACPVE042-32/16/00



Basic information

Housing	IP54/IK08
Nominal voltage	400 V
Rated current	32A
Ambient temperature	-20° C až +60° C
Main switch	Optional
Input terminals	Max 16mm
Max weight	3.0 KGS
Size (mm)	244 x 350 x 242

Max number of 1PH sockets 4

Types of 1PH sockets Type C (EUROPLUG), Type F (Schuko), Type E, Type G

Max number of 3PH sockets 2

Types of 3PH sockets IEC 60309, BS 4343

Protection (Variable) Sockets: 6-16 A C - (1+N), 6-10kA
3PH Sockets: 16-32 A C 6-10kA

Residual currents protection (Optional) 1PH 25A 30mA AC